

# greenteQ Lever handle DG 58.S216.ZA.ER.SS PZ 92

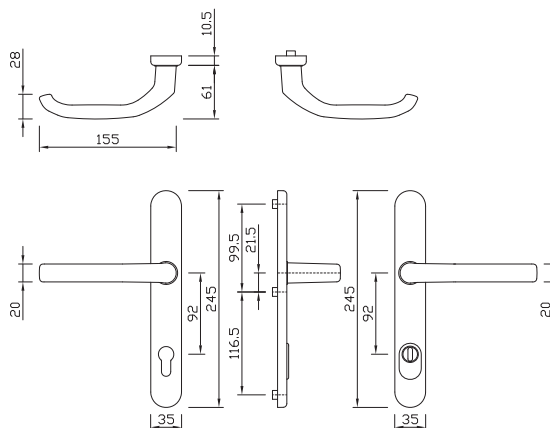
greenteQ lever handles for house front doors made of plastic.

## Properties:

The greenteQ lever handle DG 58.S216.ZA.ER.SS PZ 92 is made of non-rusting stainless steel and has a plate width of 35 mm. The handle is prepared for a profile cylinder, with a spacing of 92 mm. The outer plate has a cylinder cover for a protruding cylinder length of 5–10 mm. The cylinder cover is a special protection device and prevents the lock cylinder from being drilled open. The greenteQ lever handle DG 58.S216.ZA.ER.SS. PZ 92 with this spring-mounted cylinder cover offers sufficient extraction protection for a profile cylinder built into the lock.

The levers are mounted in such a way that they are stationary/rotatable and have a holding spring. The greenteQ lever handle DG 58.S216.ZA.ER.SS PZ 92 is preconfigured for an 8 mm square spindle. The outer plate has supporting cams and is fixed in place by means of a concealed screw connection, for which a separate accessories set (3 x M6 screws, 1 x 8 mm square spindle) is required.

## Product image and technical drawing:



## Technical data:

Material:	Stainless steel (material no. 1.4301)
Mounting:	Stationary / rotatable with holding spring
For square spindle:	8 mm
Plate dimensions:	35 x 245 mm
Edge height:	10.5 mm
Spacing:	92 mm profile cylinder
Cylinder protrusion:	5–10 mm
Packaging unit:	1 x handle (without accessories set)

Finish:	VBH item number
Matt brushed	217.270 / 8198

Accessories set (3 x M6, 1 x 8 mm square spindle)	VBH item number
Door thickness 59–65 mm	391.961 / 5965
Door thickness 64–70 mm	391.961 / 6470
Door thickness 69–75 mm	391.961 / 6975
Door thickness 74–80 mm	391.961 / 7480
Door thickness 79–85 mm	391.961 / 7985
Door thickness 84 - 90 mm	217.274 / 5378
Door thickness 89 - 95 mm	391.961 / 8995
Door thickness 94 - 100 mm	217.269 / 9195

## PRODUCT DATA SHEET

DOOR FITTINGS – Lever handle DG 58.S216.ZA.ER.SS PZ 92

Edition 04/2018 | [www.greenteQ.info](http://www.greenteQ.info)

The instructions for use, service and product details as well as other technical information for our greenteQ products are general guidelines. These serve only to describe the properties and performance features of our products and do not constitute a guarantee as per Section 443 of the BGB (German Civil Code). Due to the variety of possible applications, it is incumbent upon the user to test whether or not it is suitable for the desired application. Technical application advice provided by us verbally, in writing or through tests is for your information only and is absolutely non-binding.